

Installation instructions for UANGM-03013-00

Under Run Protective Shield Engine Bay and Transmission Case

Toyota Yaris



Model Year: **2017 -**

Vehicle Code:

Part Number: **UANGM-03013-00**

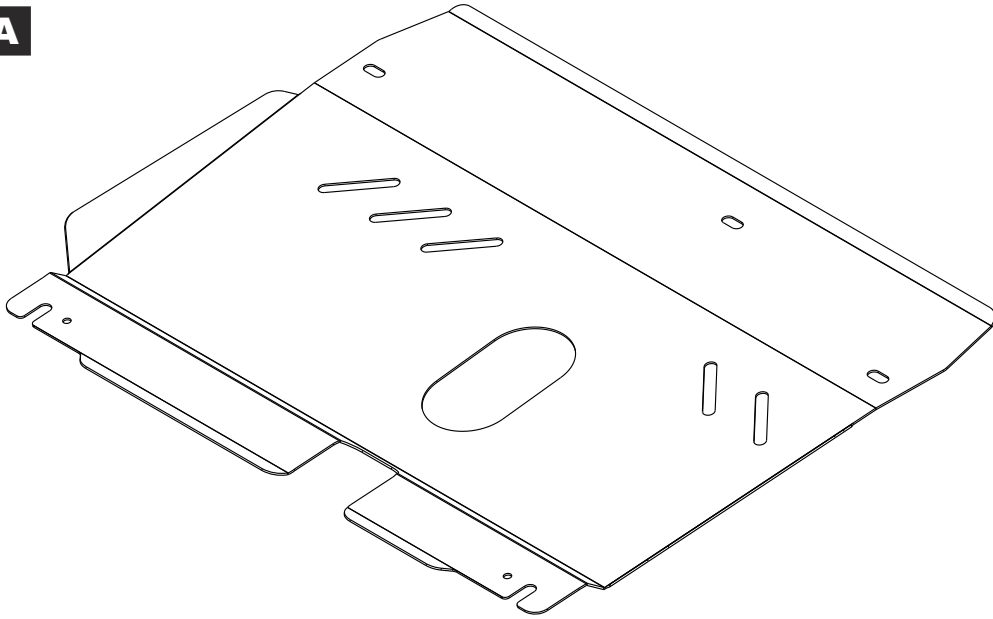


Weight: **7,81 Kg**



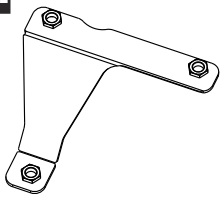
Installation Time: **40 min**

A



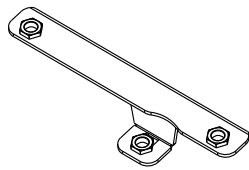
UANGM-02141-60

B1



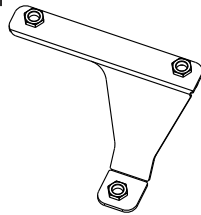
1x

B2



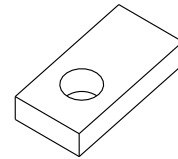
1x

B3



1x

C



2x

D



M8x20

11x

E



Ø8

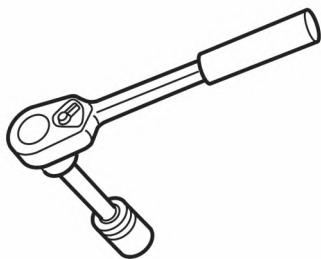
11x

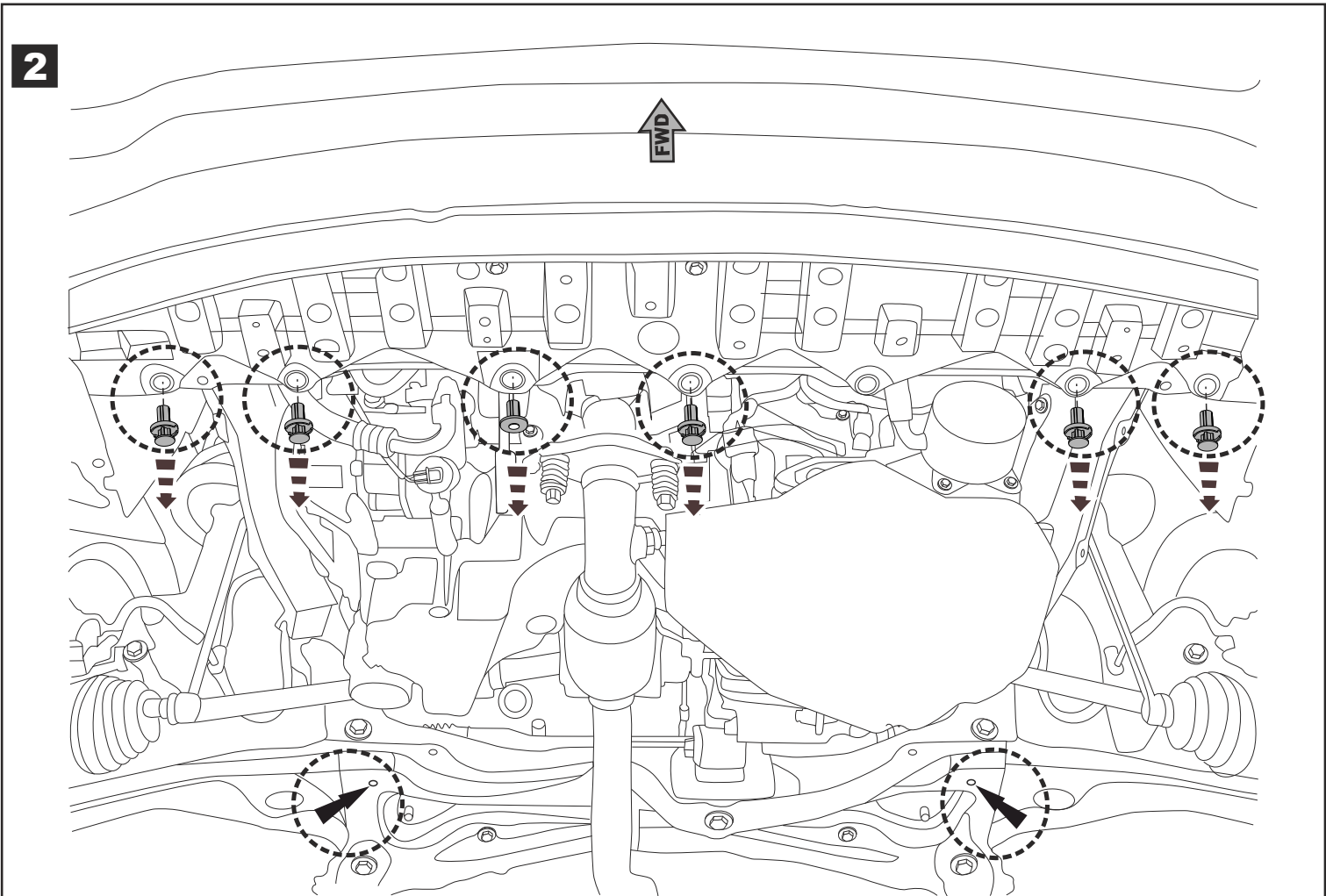
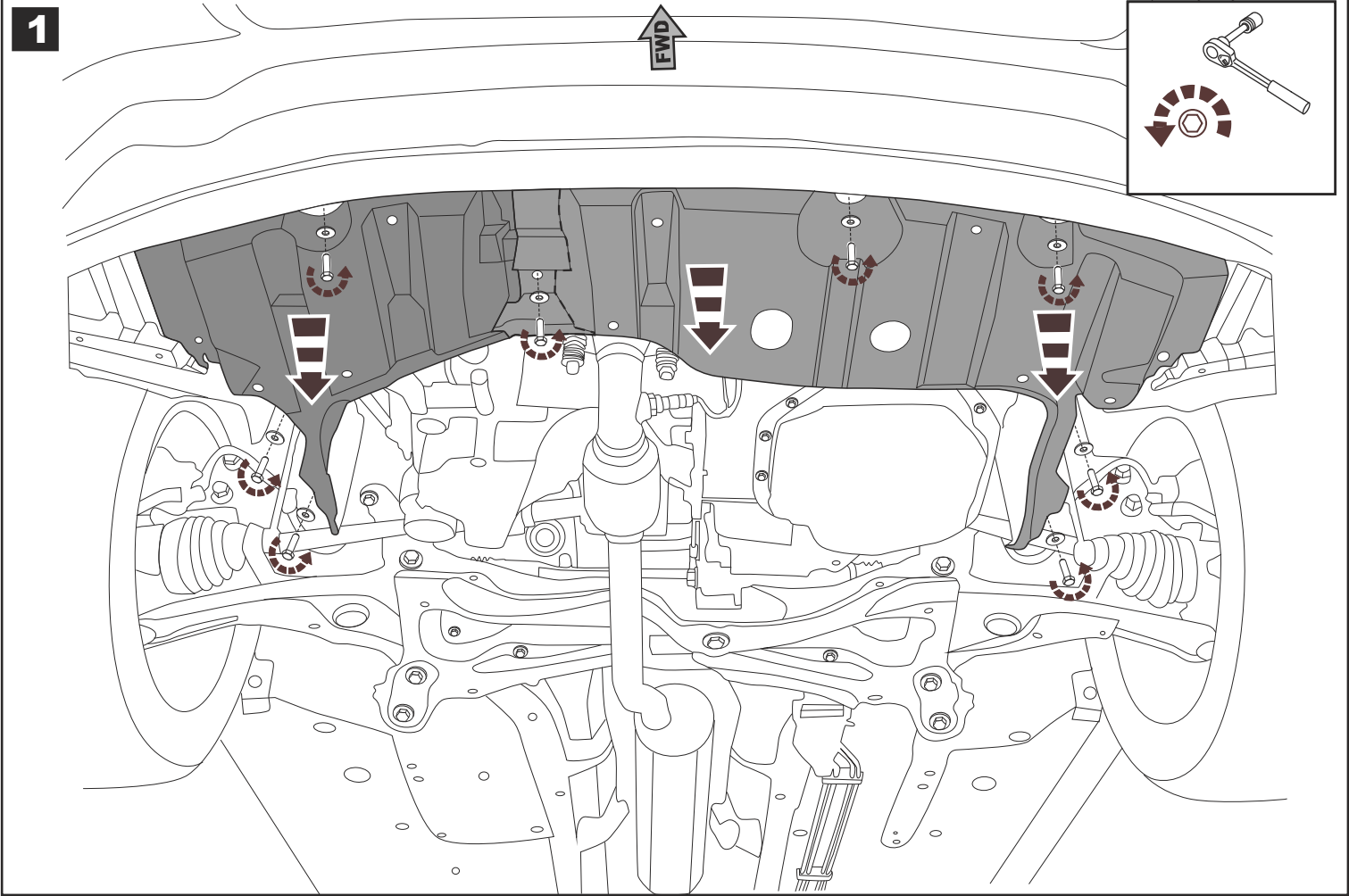
F



Ø8G

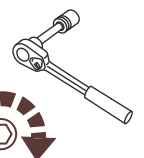
11x



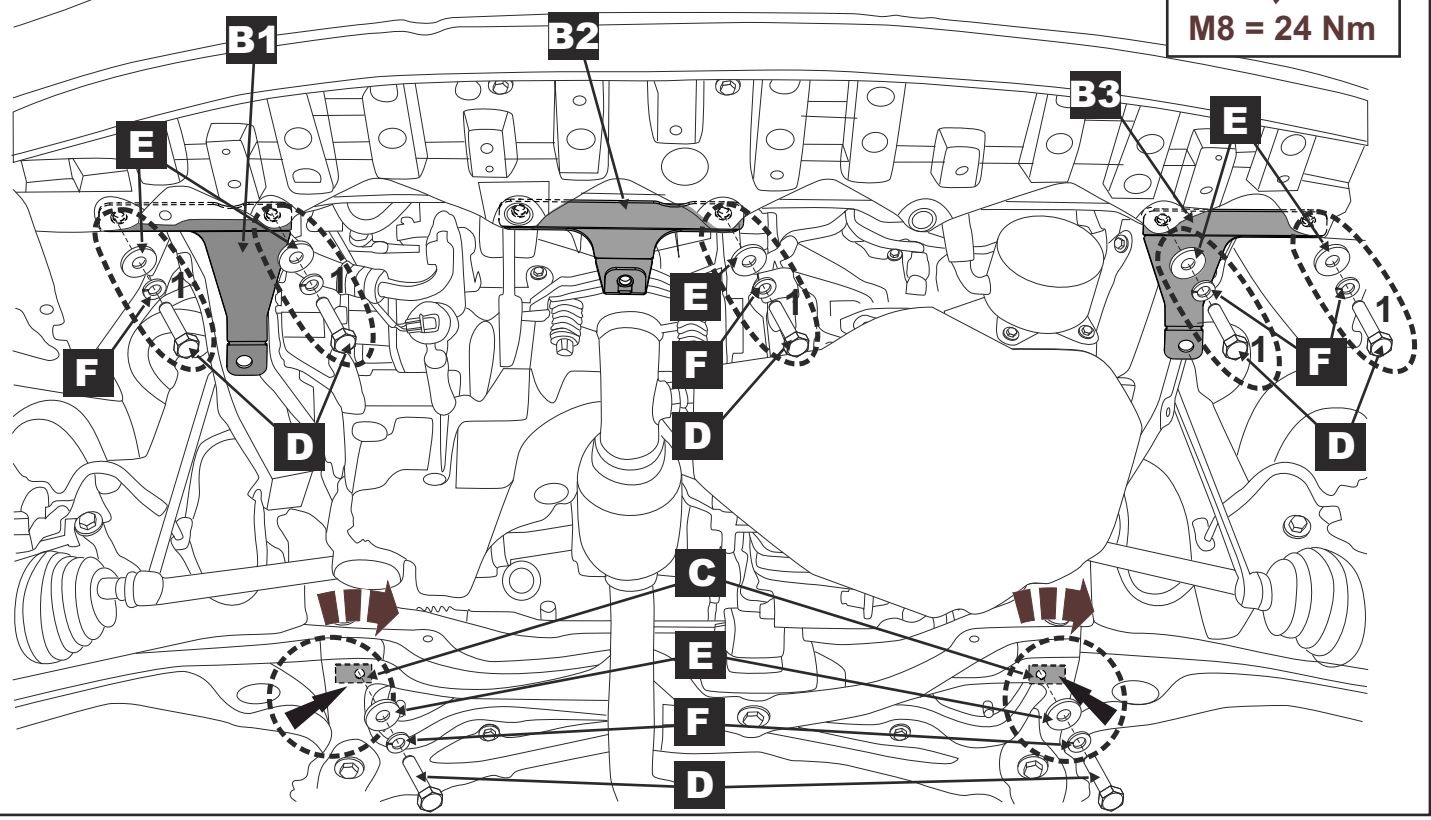


3

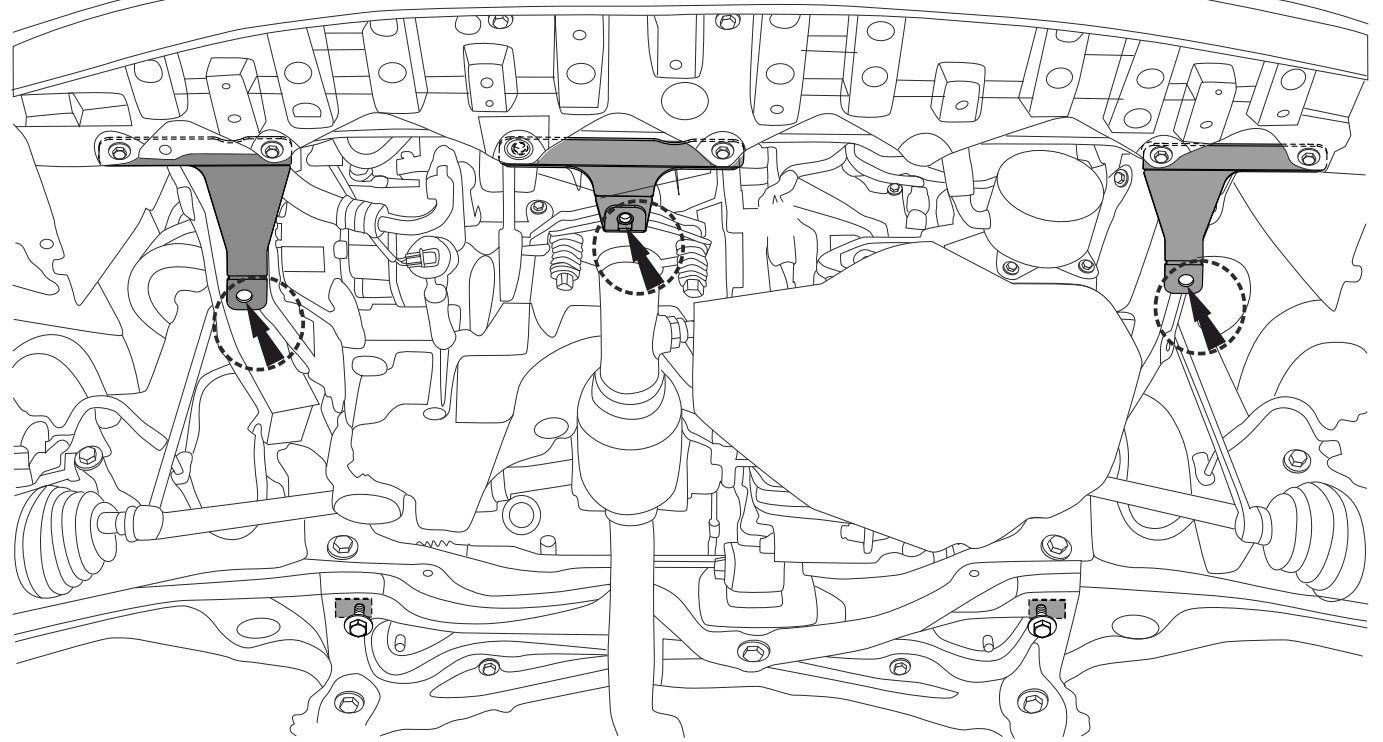
1



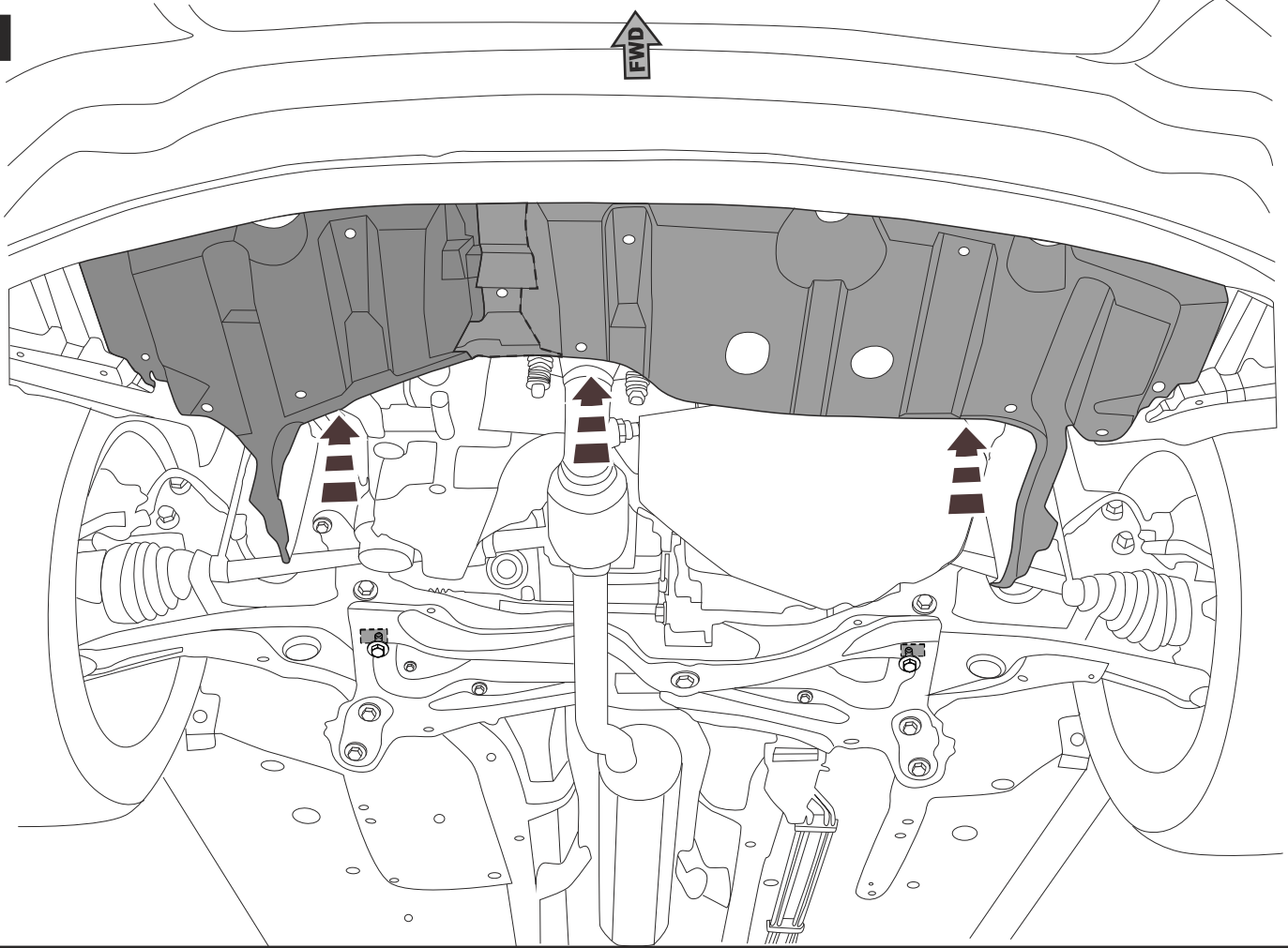
M8 = 24 Nm



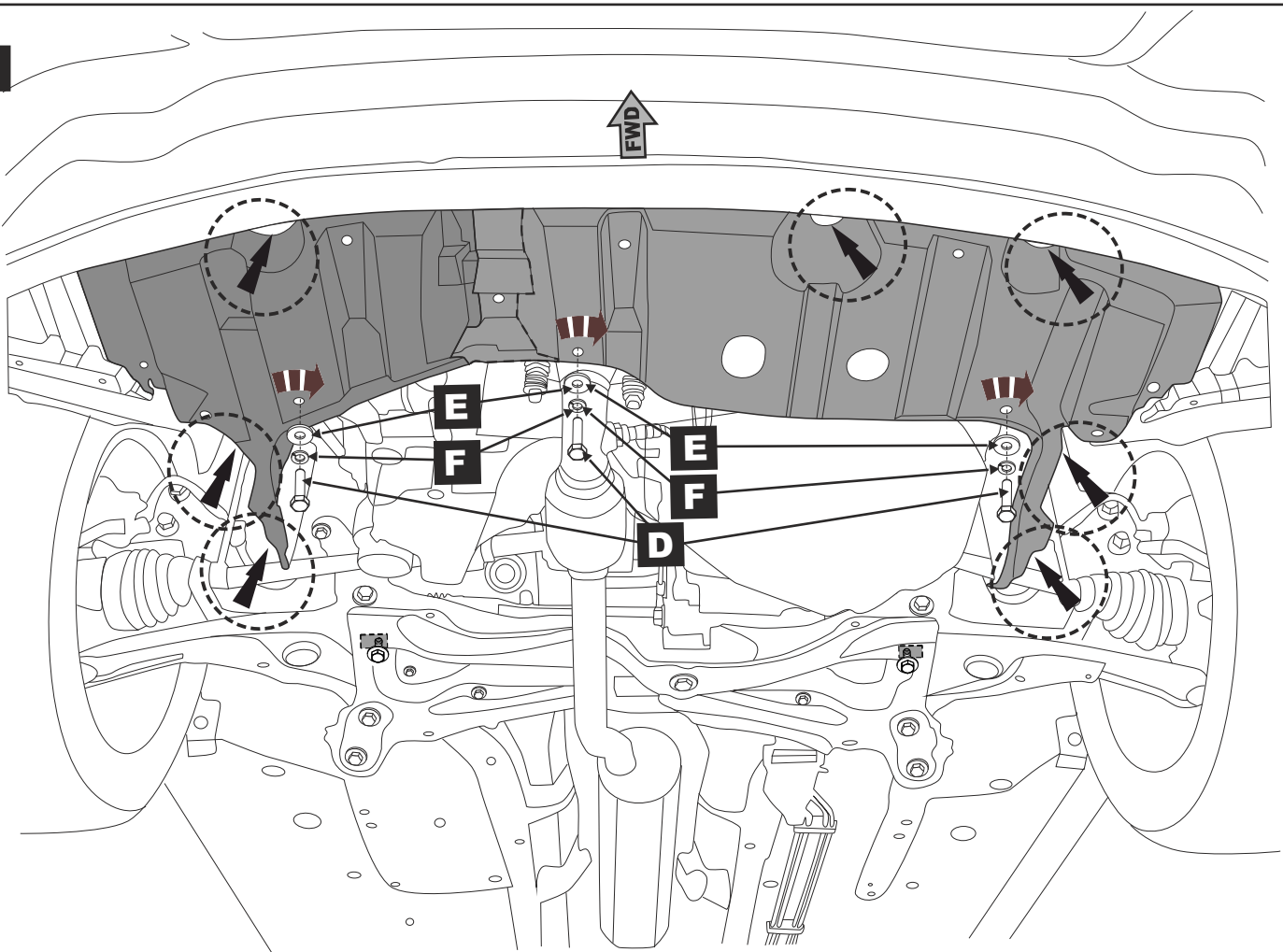
4

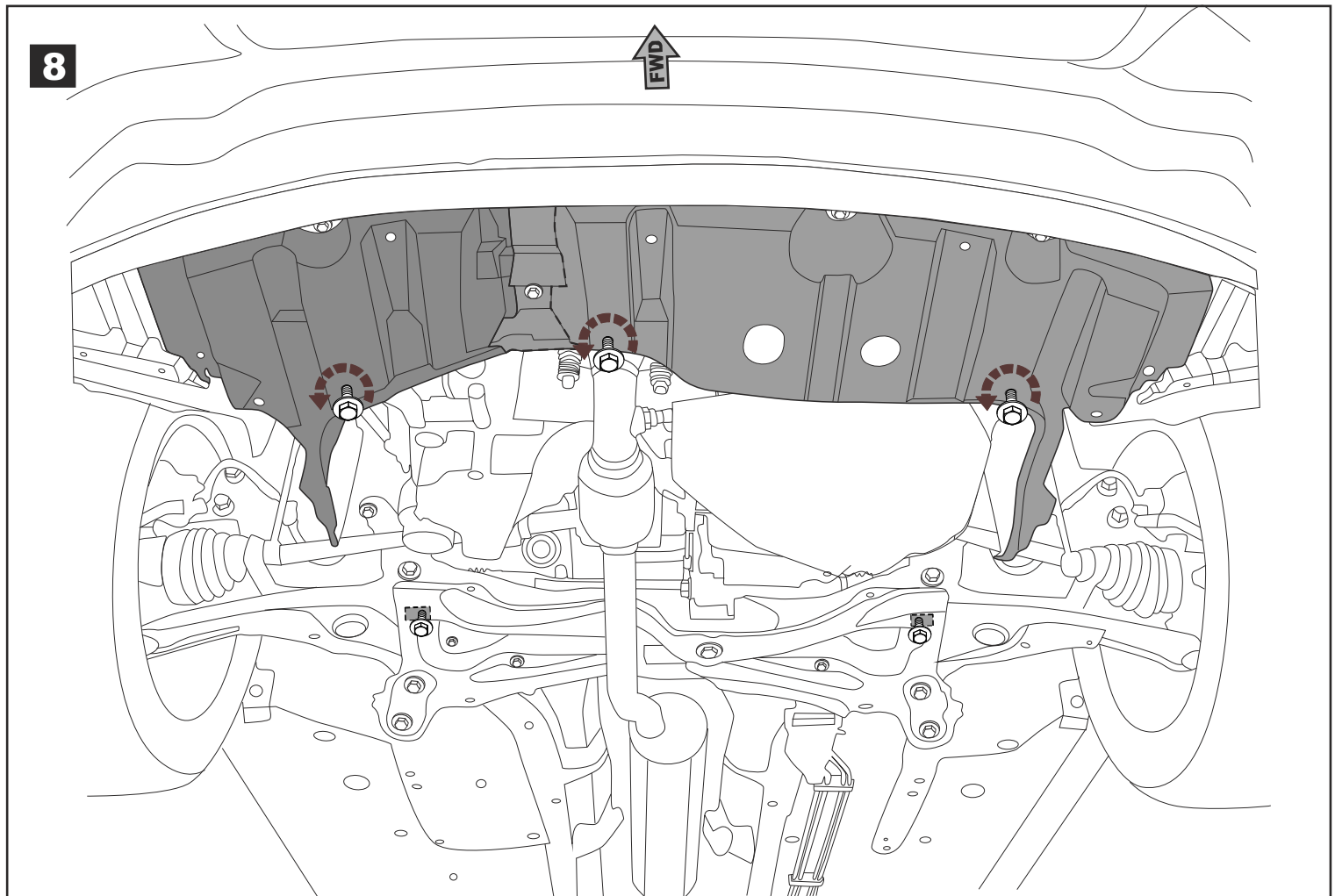
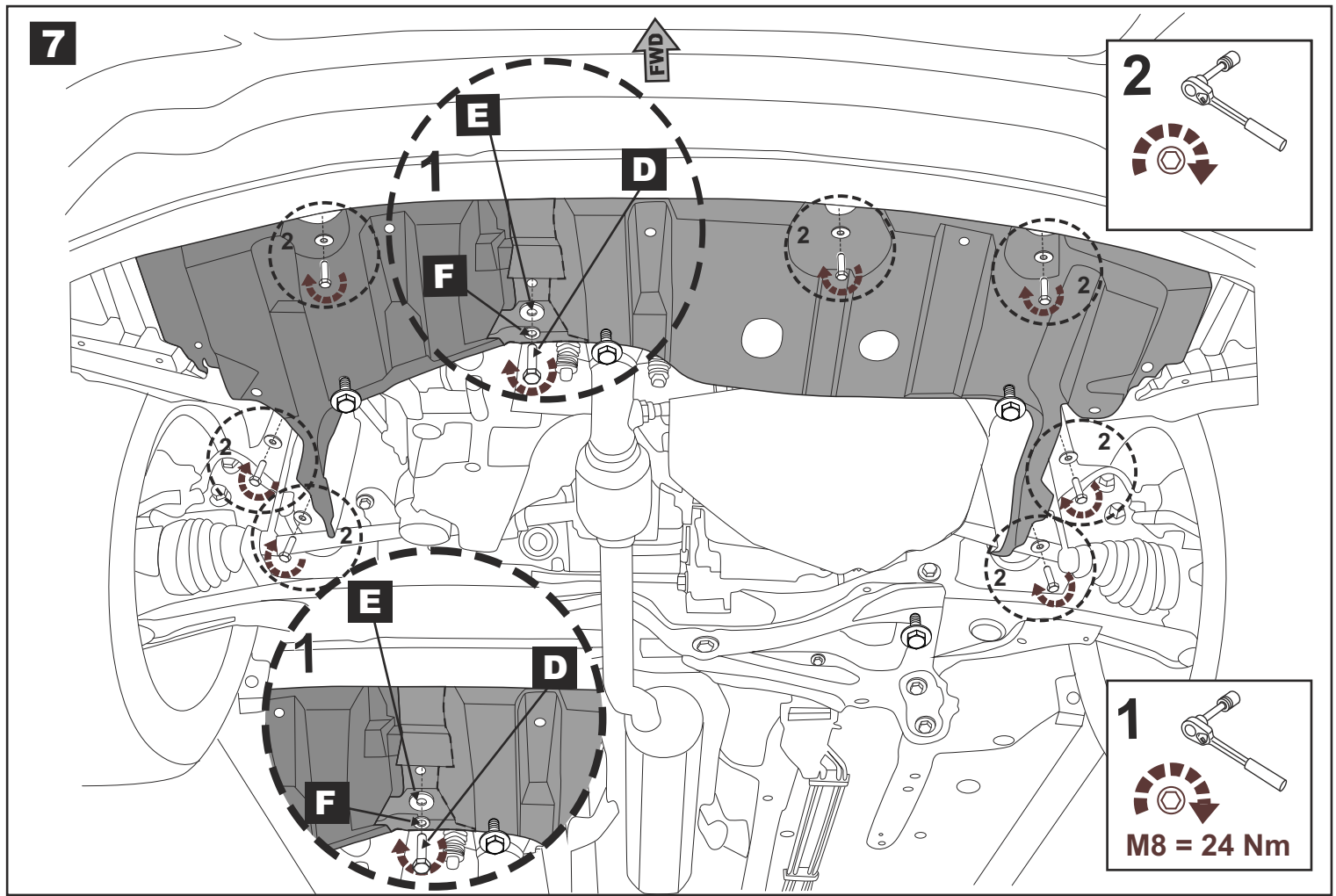


5

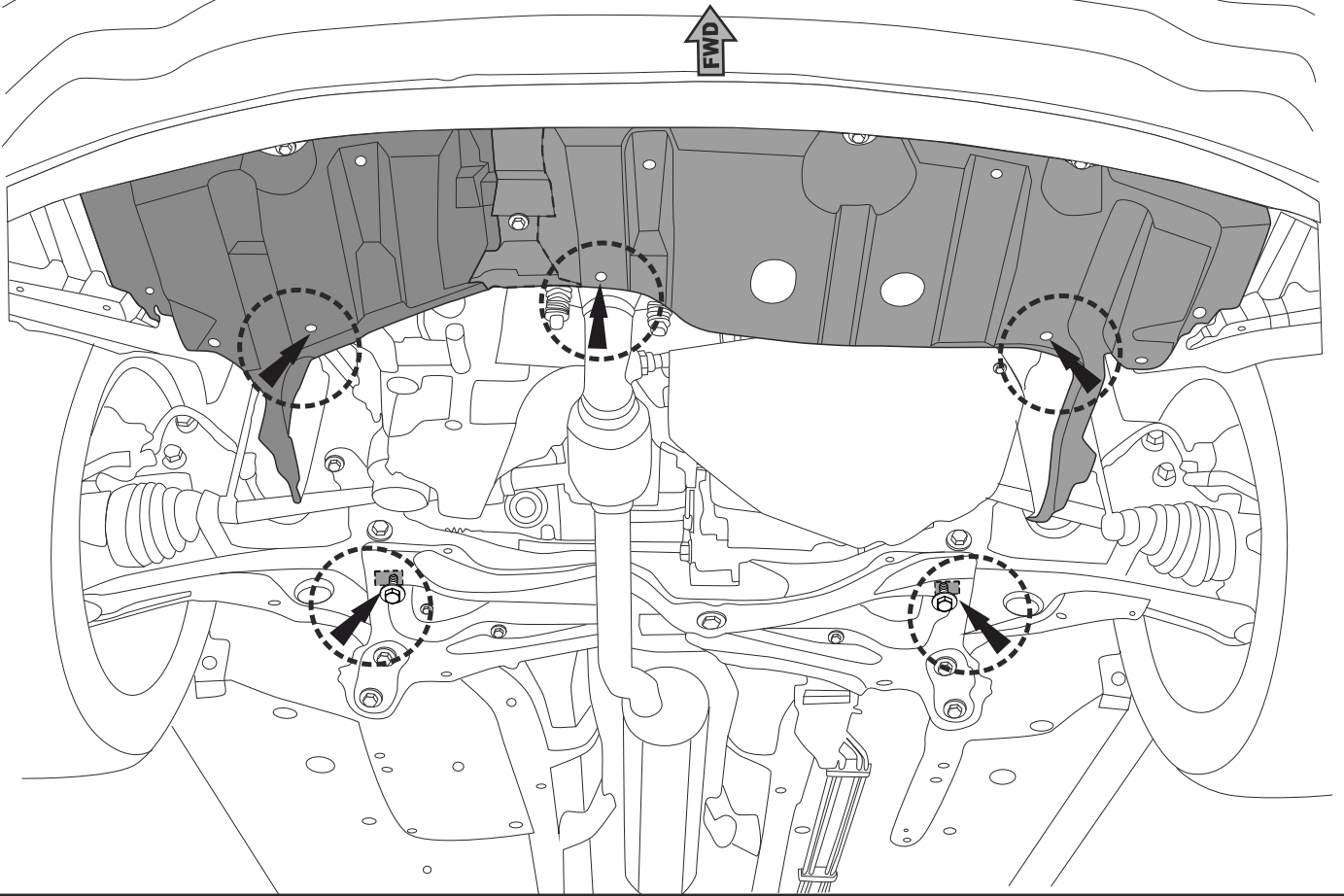


6

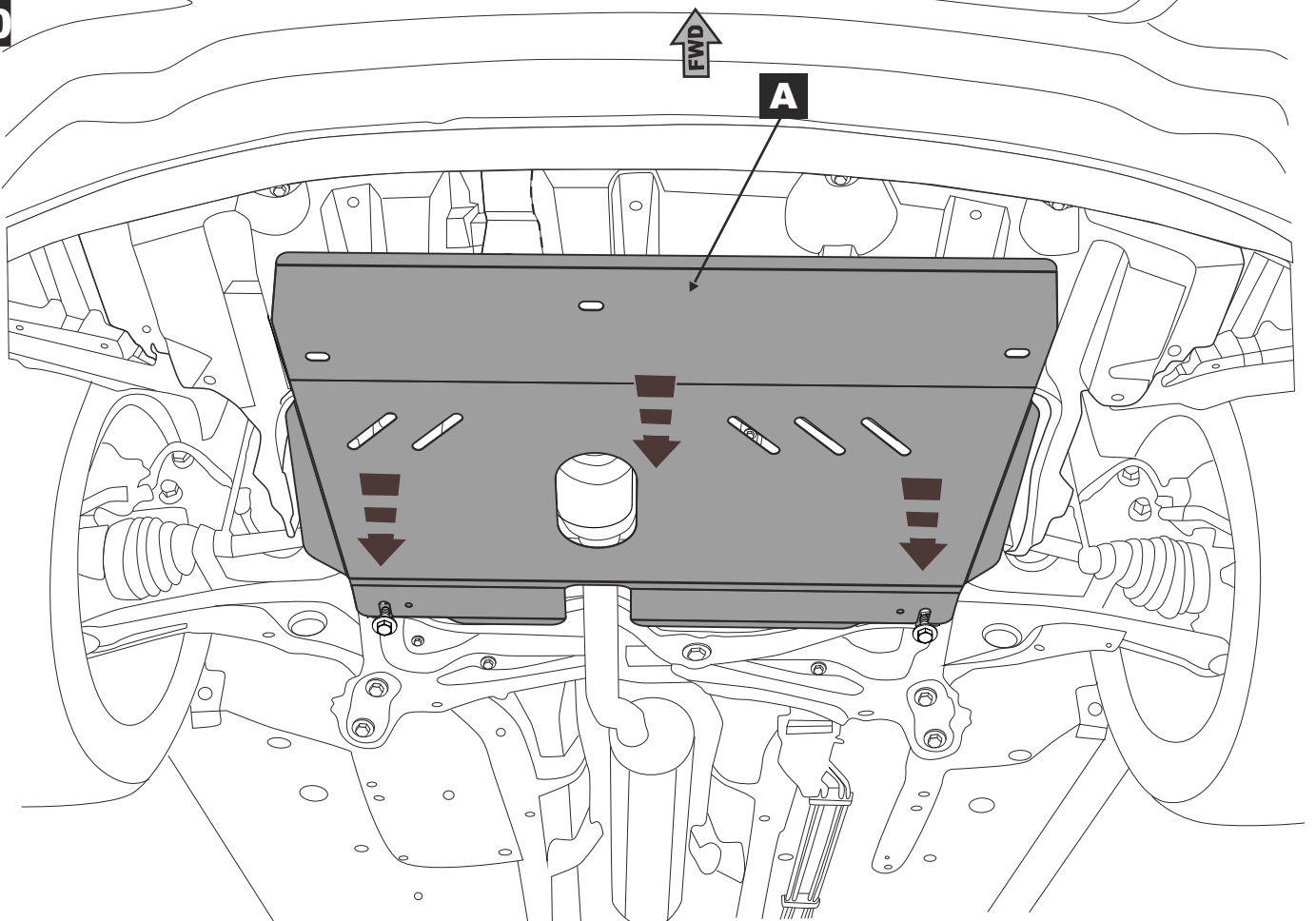




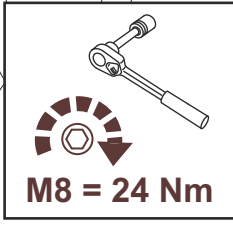
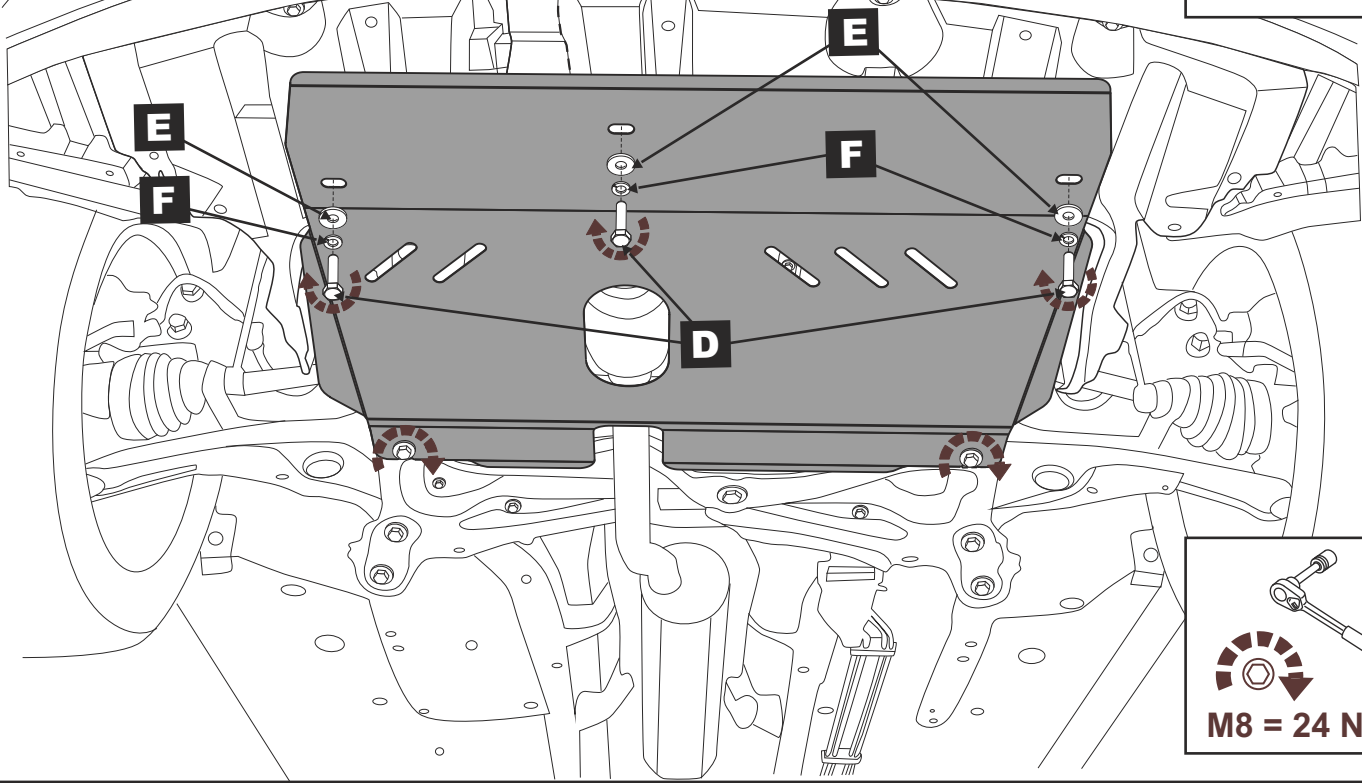
9



10



11



12

