

RU ИНСТРУКЦИЯ ПО УСТАНОВКЕ

GB INSTALLATION MANUAL
SKID PLATE FOR TRANSMISSION CASE and TRANSFER BOX



VW Amarok (2,0 MT 4WD; 3,0 V6 AT 4WD)

2016 

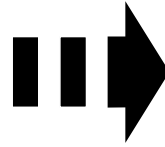
26.3496V

08/04/20

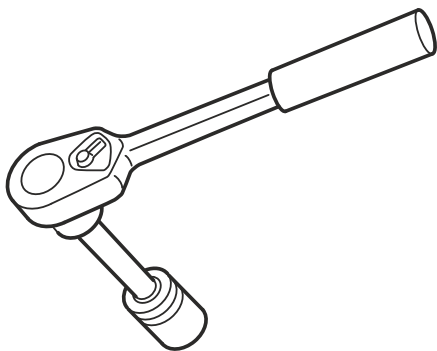
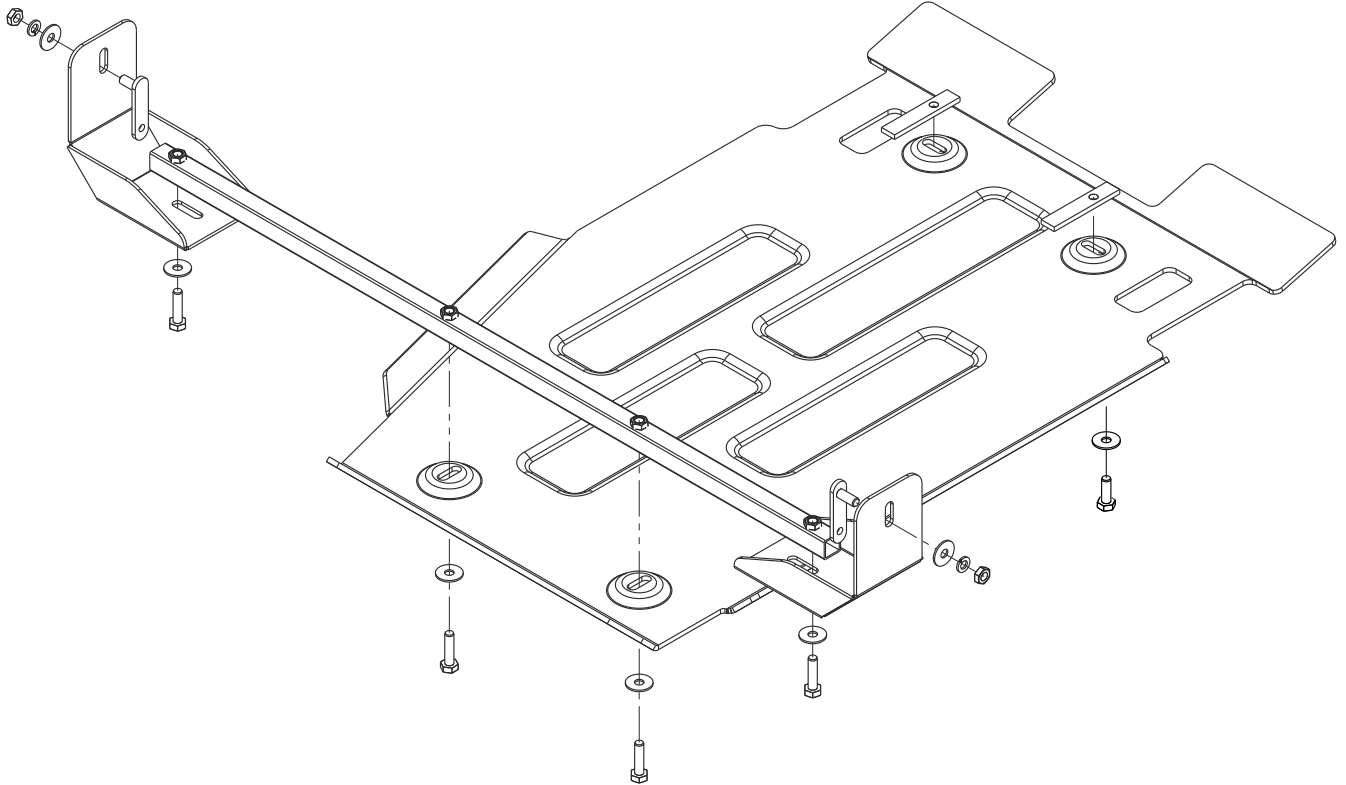
1/6

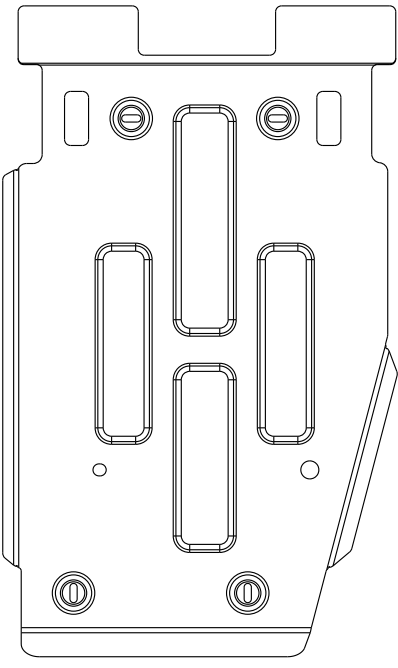
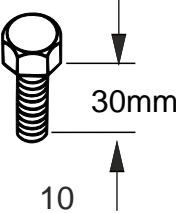
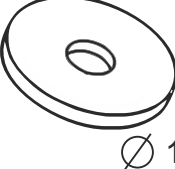
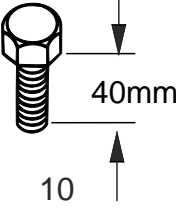
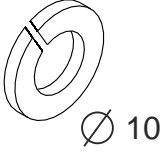
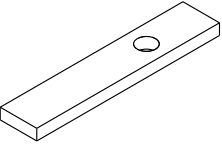
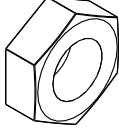
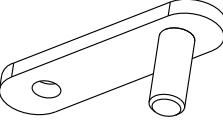
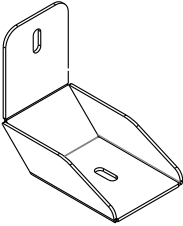




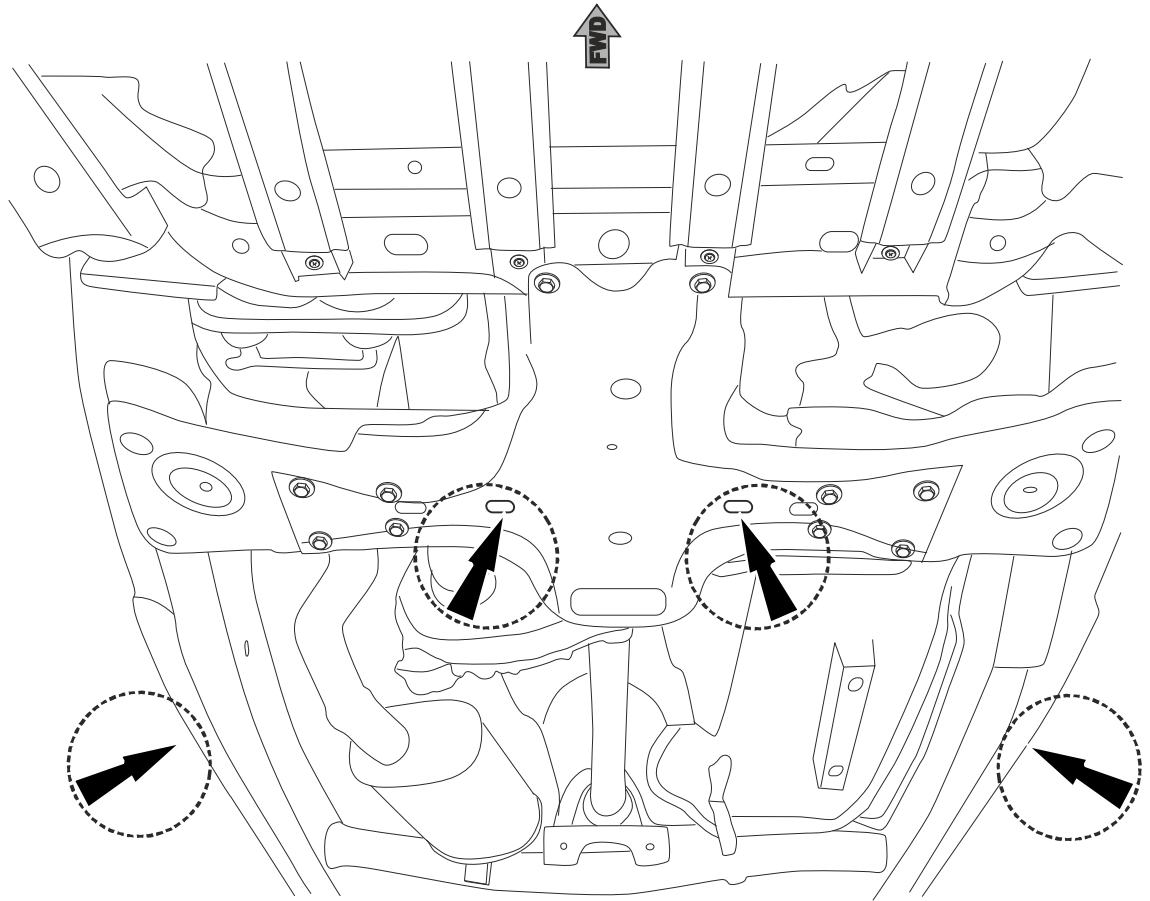
(RU) /
(GB) Location/Position Arrow
(D) Stellung/Anordnung



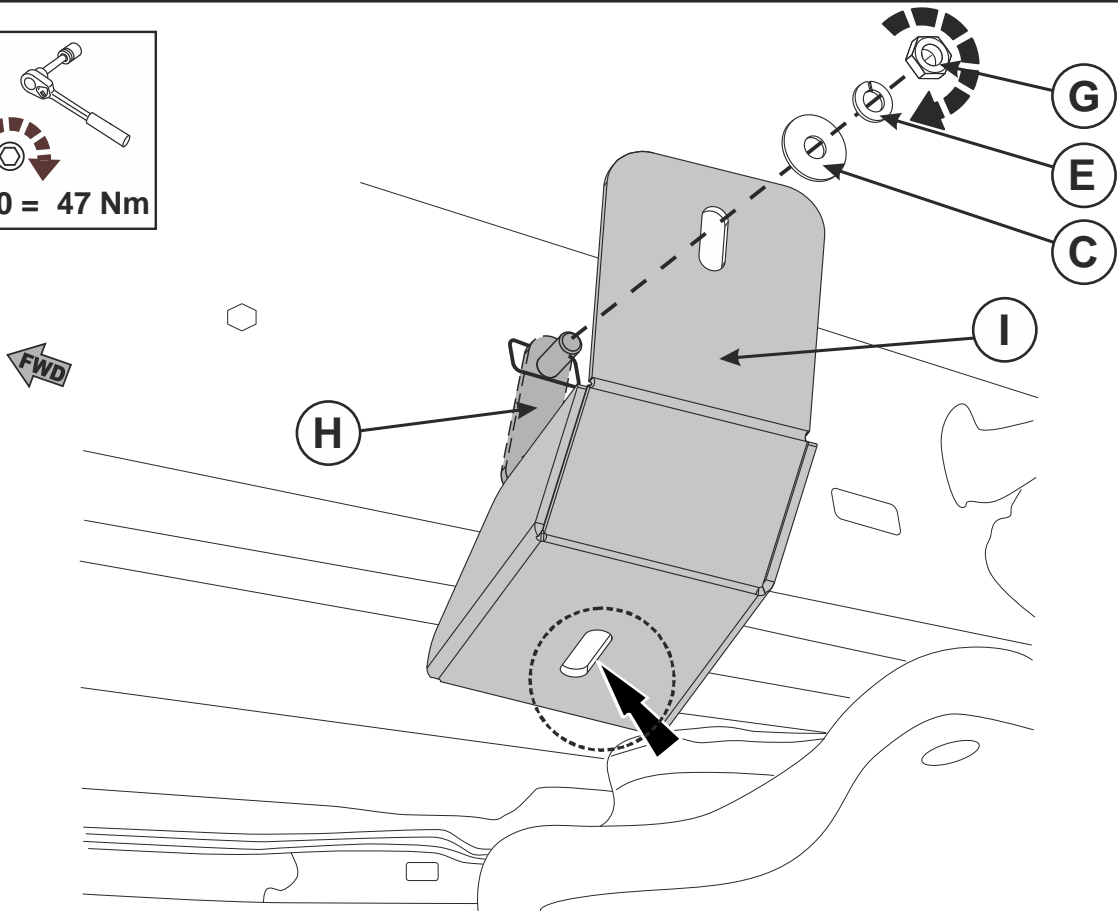
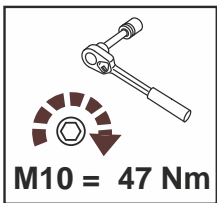
(RU)
(GB) Movement Arrow
(D) Vorwärtsbewegung



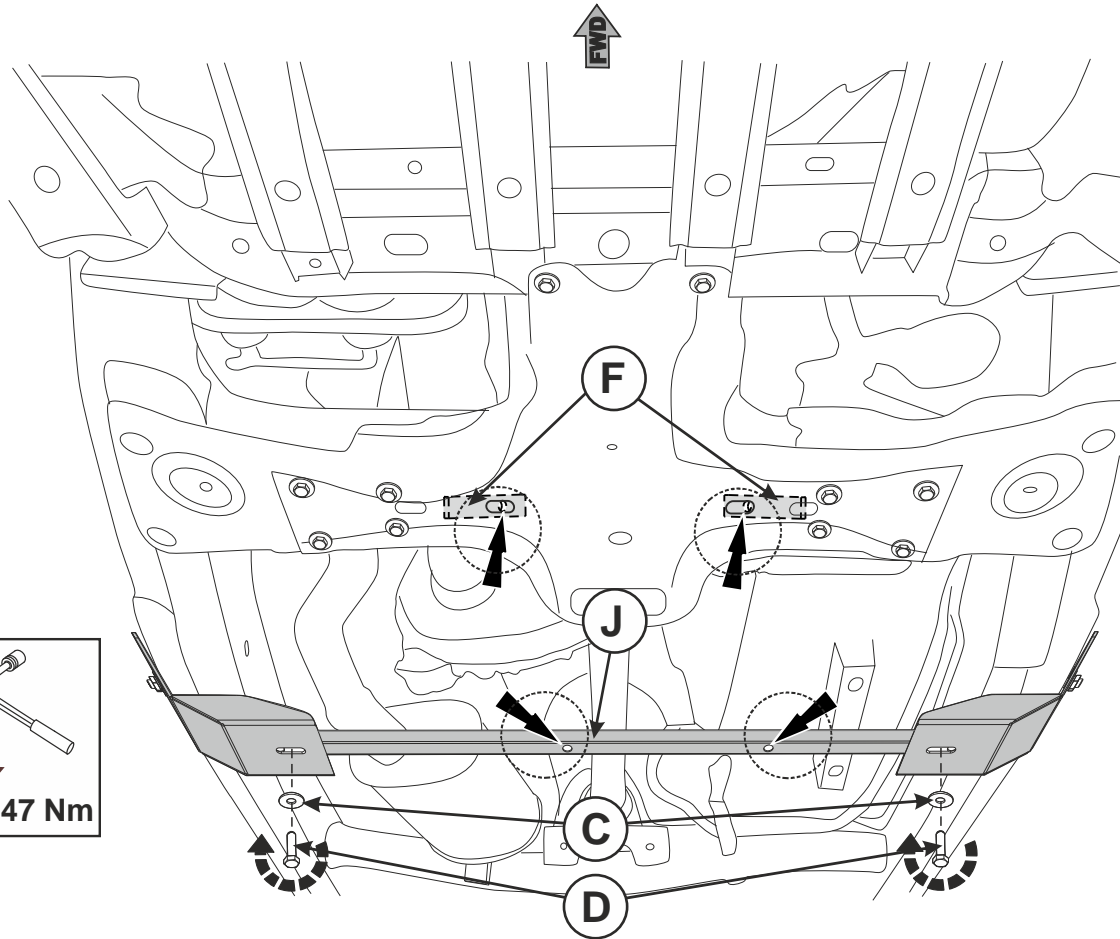
| | | | | |
|---|--|----------|---|-----|
| A |  | | | 1X |
| B |  | C |  | 8X |
| D |  | E |  | 2X |
| F |  | G |  | 2X |
| H |  | I |  | 2X |
| J |  | | | 1X |
|  MP | 26.3496V | | 08/04/20 | 3/6 |



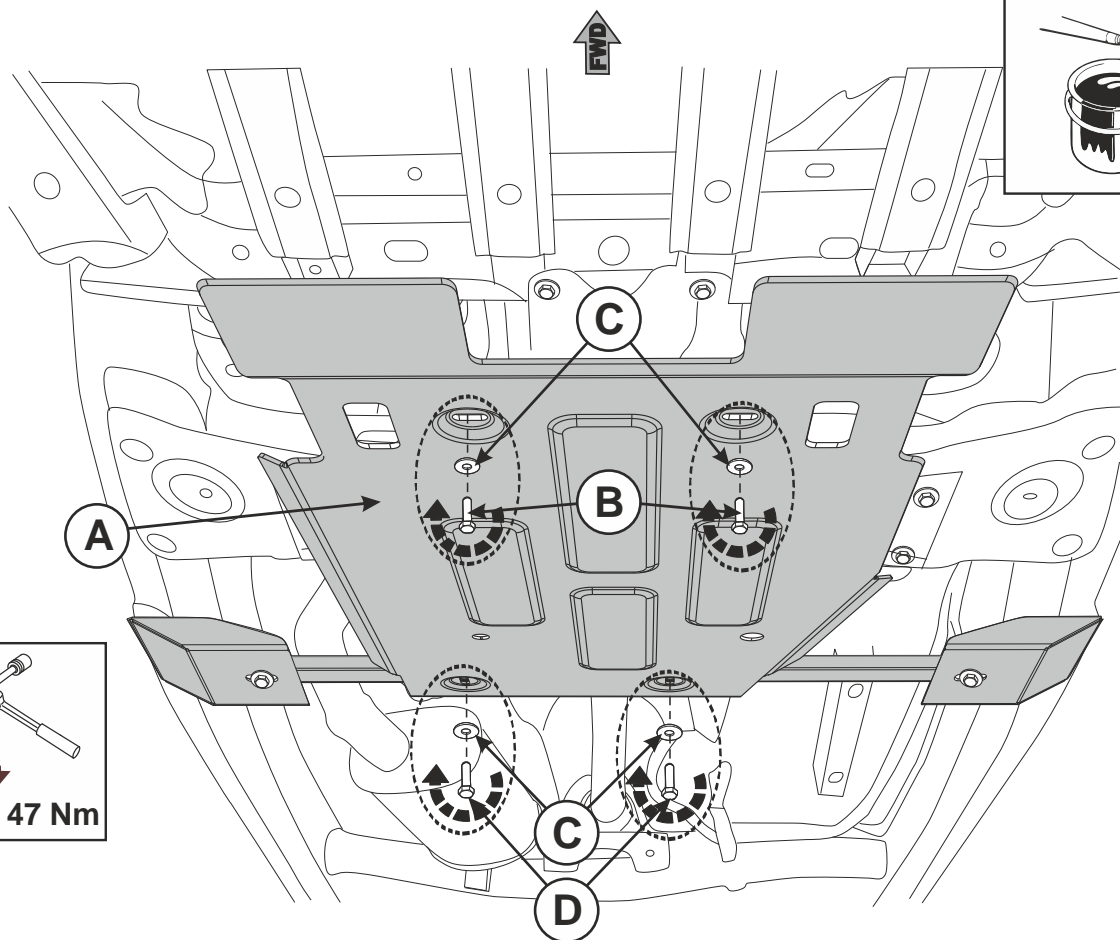
1



2



3



4

