

Installation instructions for KZNG5-03011-00, KZNG5-03012-00
Under Run Protective Shield Engine Bay and Transmission Case

TOYOTA Camry



LEXUS ES

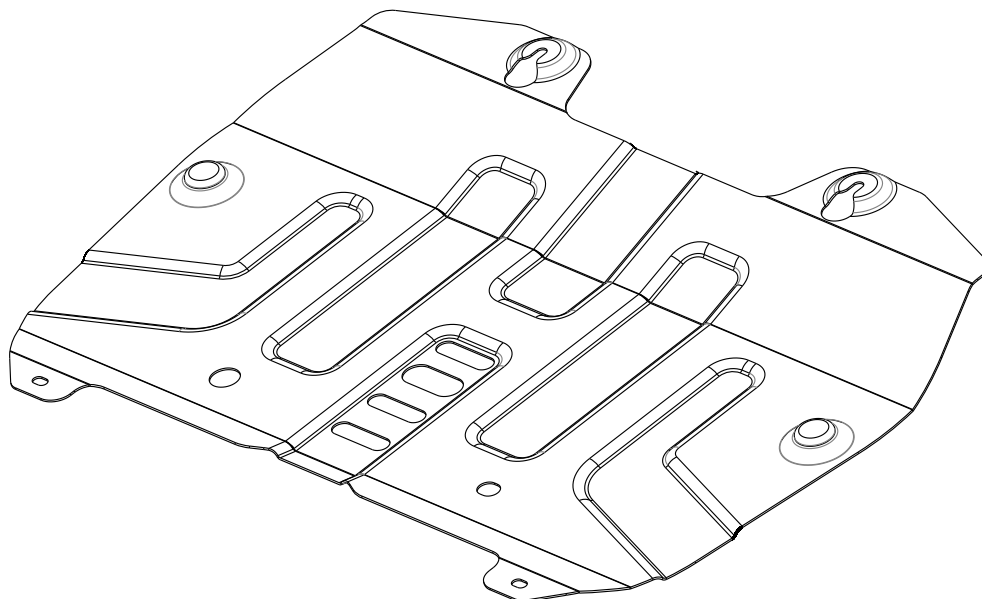


Model Year:	Camry - 2018	ES 200/250/350 - 2018
Vehicle Code:	ASV71L-RETNHX ASV70L-RETNKX GSV70L-REZGBX	ASZ10L-AETGBW AXZA10L-AEZGBW GSZ10L-AEZGBW
Part Number:		Steel: KZNG5-03011-00 Aluminium: KZNG5-03012-00

 Weight: Steel: 8,16 kg
Aluminium: 4,54 kg

 Installation Time: 30 min

A



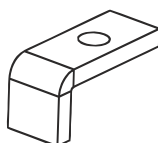
KZNG5-03011-60

B



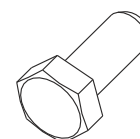
2x

C



2x

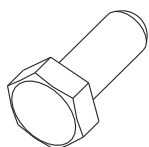
D1



Болт M10x40

2x

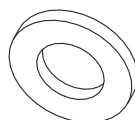
D2



Болт M10x90

2x

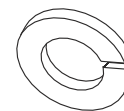
E



Ø10

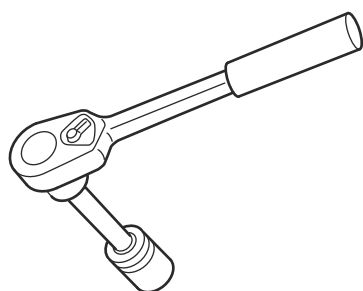
4x

F

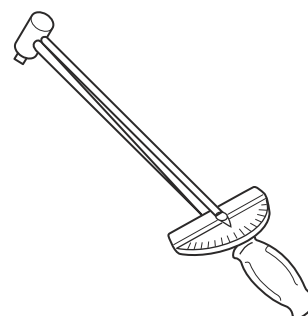


Ø10

4x

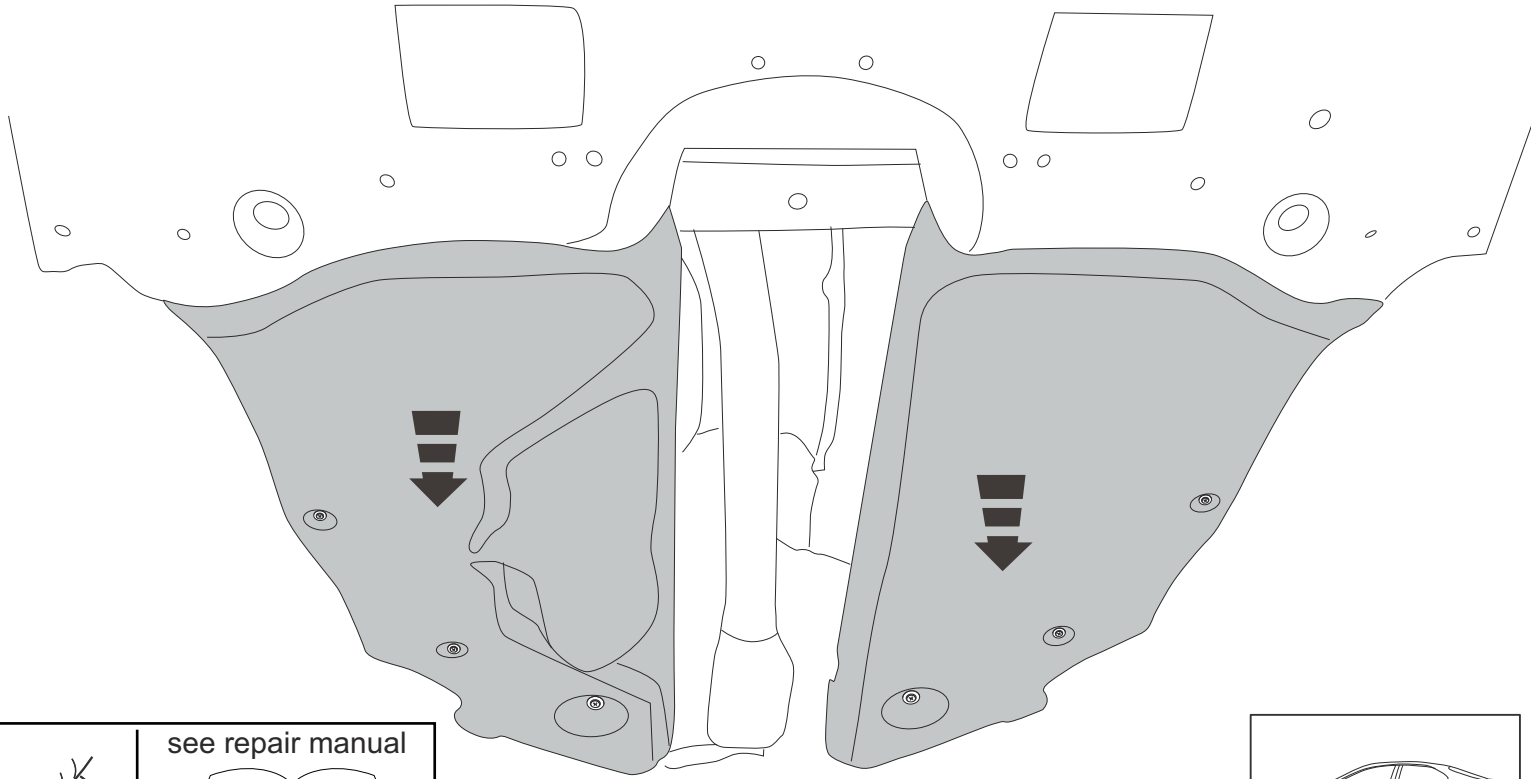


17 mm

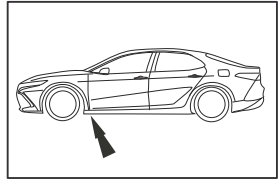


1

Lexus ES 200

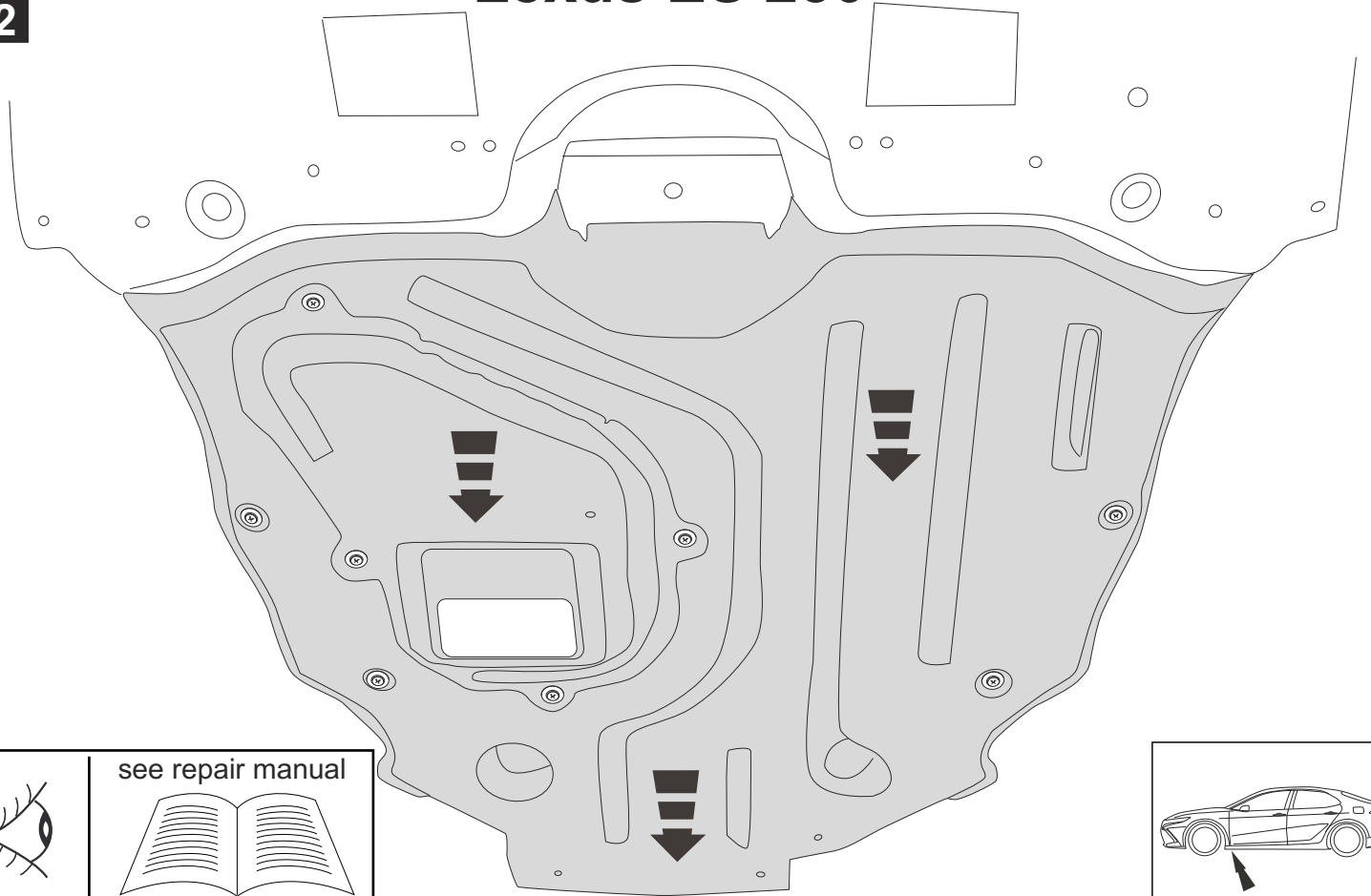


see repair manual

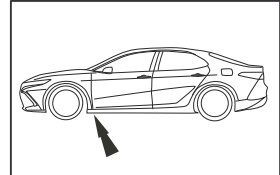


2

Lexus ES 250

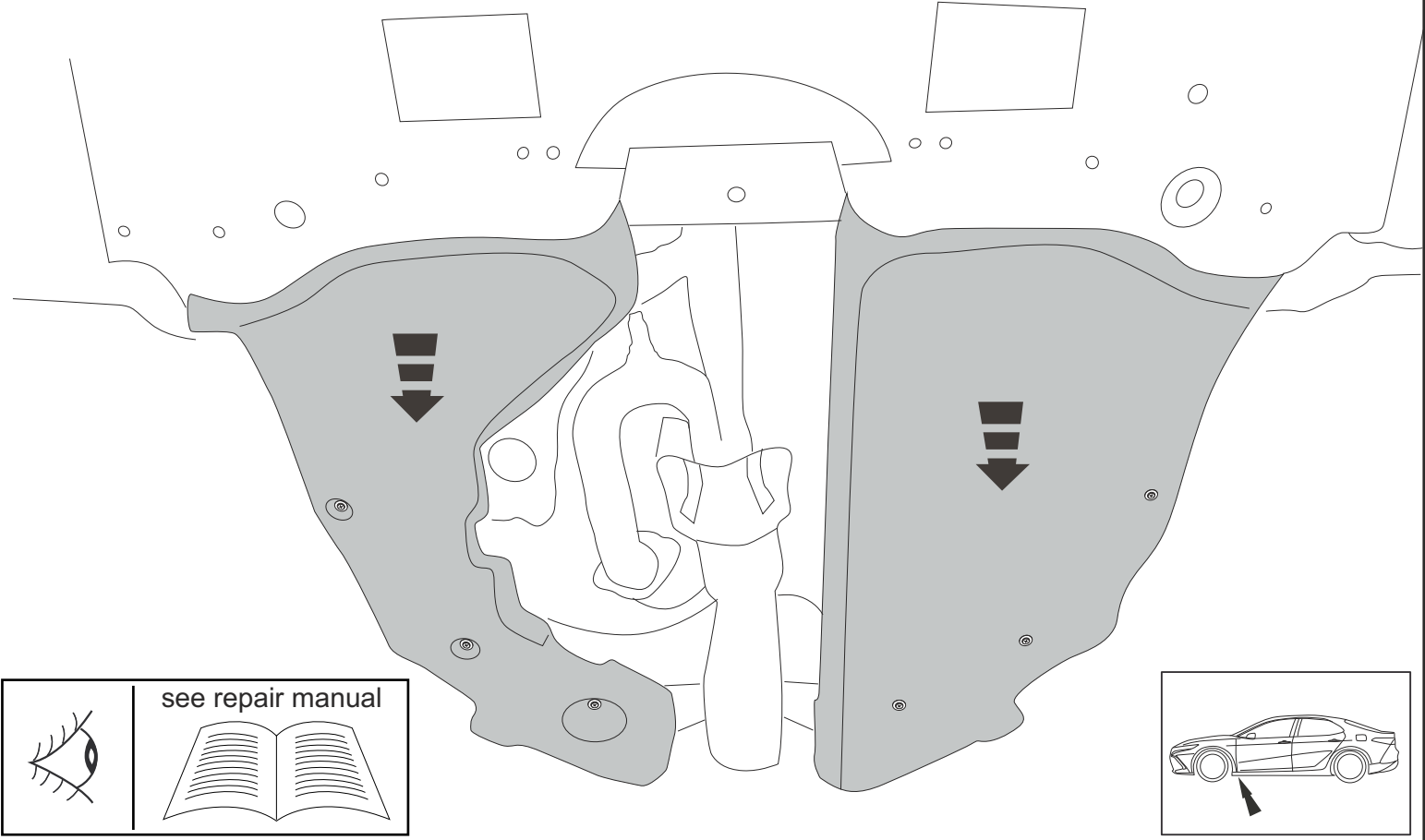


see repair manual

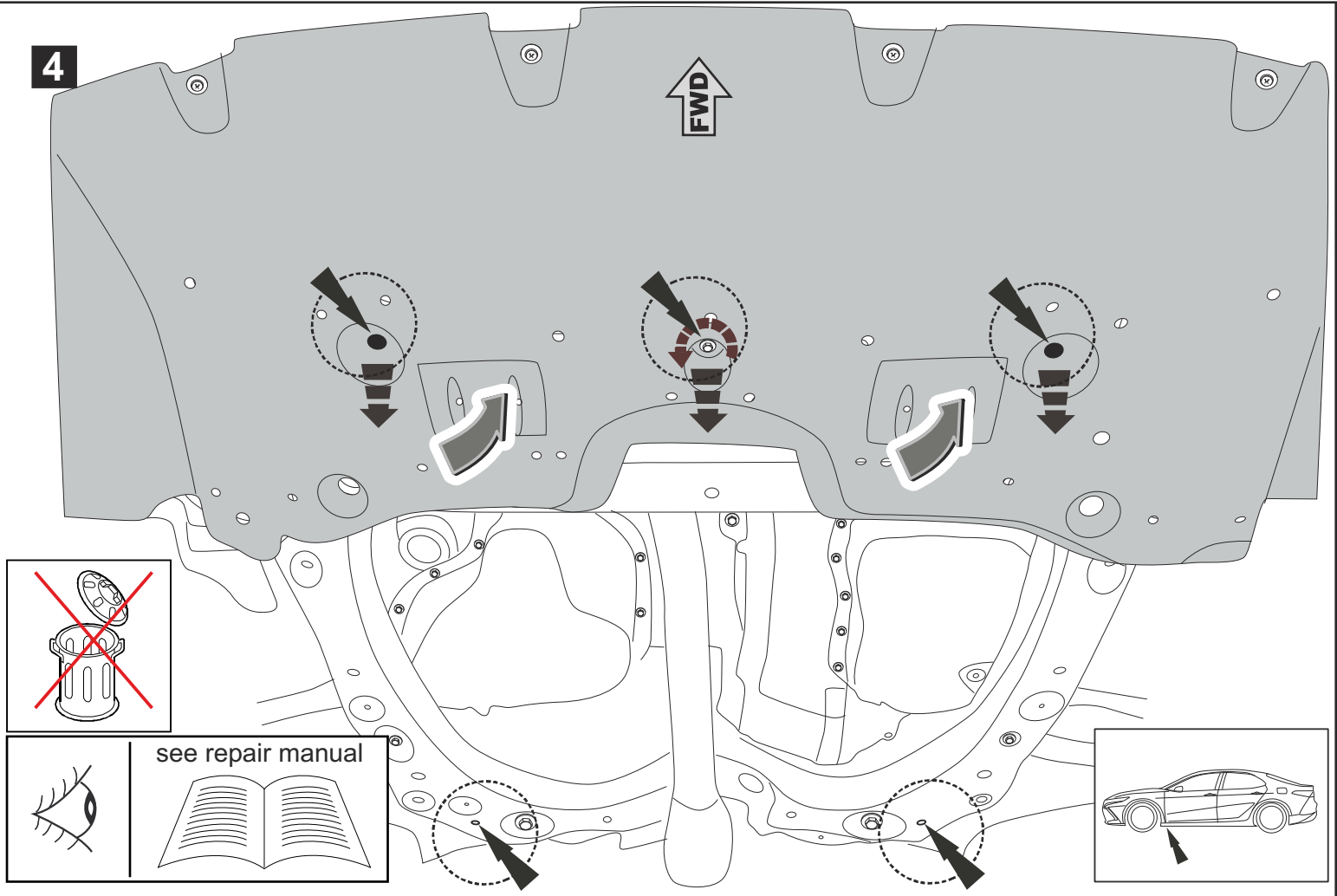


3

Lexus ES 350



4



Part number:
KZNG5-03011-00;
KZNG5-03012-00

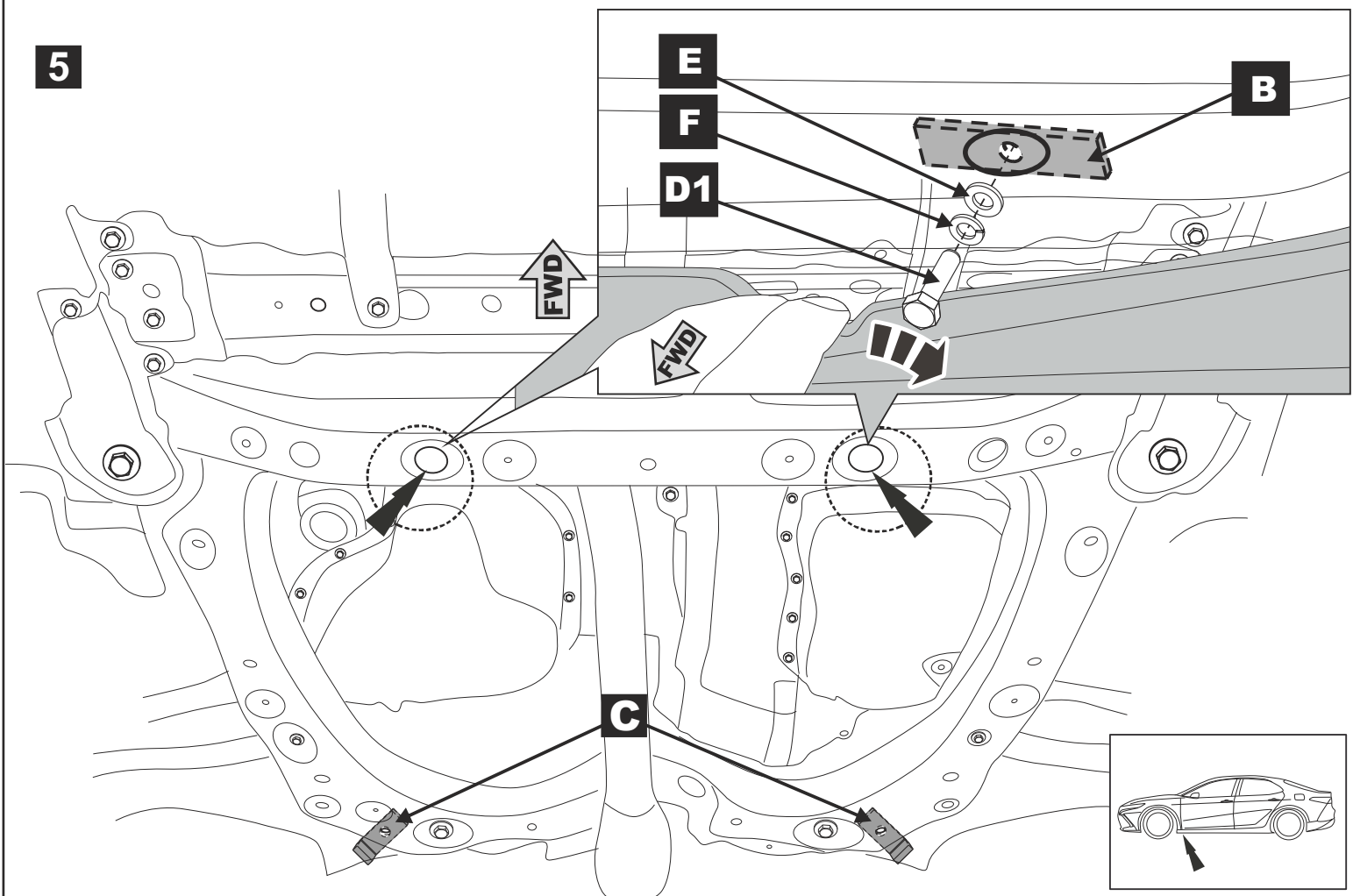
Revision:
2

Date:
24/08/18

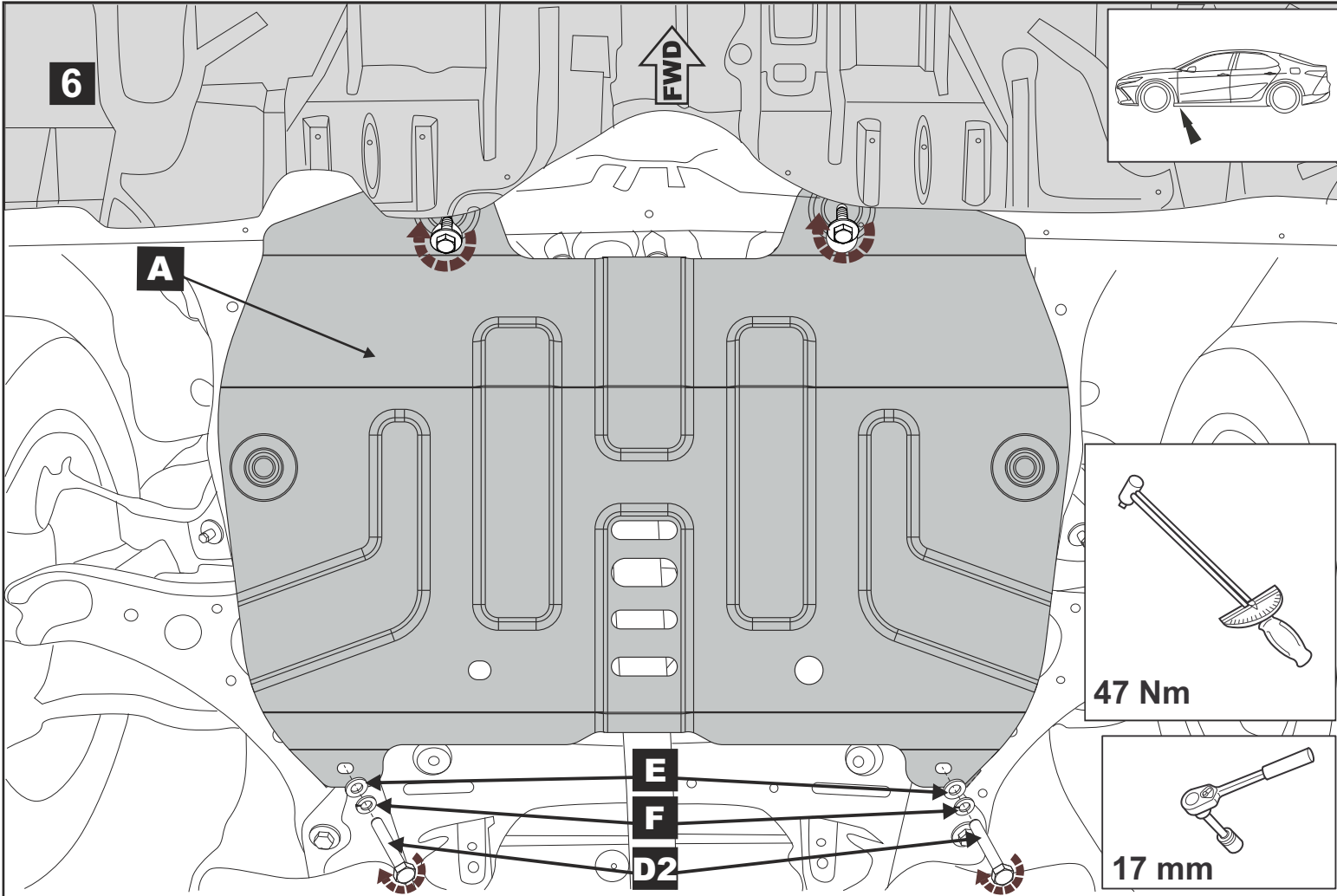
TOYOTA CAMRY 2018
LEXUS ES 2018

Page:
4/6

5



6



7

FWD

